

SmallRig

Handle for DJI Osmo Action 5 Pro / 4 / 3
运动相机手柄 (适用于大疆 Osmo Action 5 Pro / 4 / 3)

Operating Instruction | 操作指引

- Thank you for purchasing SmallRig's product.
感谢您购买 SmallRig 产品。
- Please read this Operating Instruction carefully.
使用本产品之前，请仔细阅读操作指引。
- Please follow the safety warnings.
请注意所有警告提示并遵循使用操作指引的所有指令。



Safety Guidelines / 注意事项

- Do not use the product underwater, in extreme temperatures (e.g., freezing or direct heat), corrosive environments, or excessive dust. Dry metal parts immediately after liquid contact to prevent corrosion.

请勿在水下、极端温度（如冷冻或高温暴晒）、强腐蚀性或多尘环境中使用本产品。金属部件接触液体后请立即擦干，避免长期接触水分导致锈蚀。

- Do not exceed the maximum weight capacity indicated on the product. Overloading risks structural failure, deformation, or accidental drops.

请勿超过产品标注的最大承重限制。超载可能导致结构变形、断裂或意外跌落设备。

- Clean surfaces with a dry, soft cloth. Avoid chemicals like alcohol or solvents. Ensure dry and ventilated conditions for long-term storage.

使用干燥软布清洁表面，避免酒精、溶剂等化学试剂直接接触产品。长期存放前请确保环境干燥通风。

- Do not modify the product (e.g., drilling, cutting)—this compromises structural integrity and increases drop risks.

请勿自行对产品进行钻孔、切割或改造，以免破坏结构强度，增加设备跌落风险。

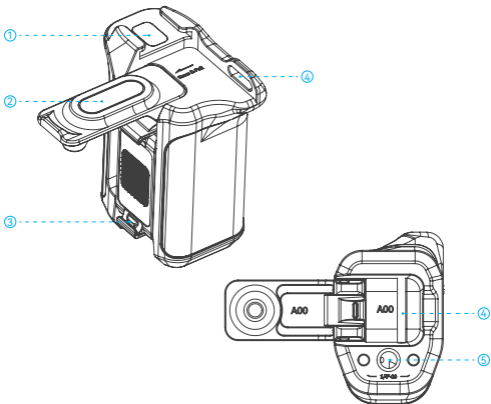
- Stop use immediately if you notice deformation, unusual noises, or loose components, and contact support.

若产品出现变形、异响或部件松动，请立即停止使用并联系客服。

In the Box / 包装清单

Handle 手柄	× 1	Wrist Strap 手腕带	× 1
Guarantee Card 保修卡	× 1		

Product Details / 产品介绍



① Cold Shoe
冷靴

② Shutter Trigger
快门触发键

③ Quick Release Clamp
快拆接口

④ Wrist Strap Hole
腕带孔

⑤ 1/4"-20 Locating Hole
1/4"-20 定位孔

Specifications / 产品参数

Compatibility 适配性	DJI Osmo Action 5 Pro / 4 / 3 大疆 Osmo Action 5 Pro / 4 / 3
Product Dimensions 产品尺寸	1.4 × 2.0 × 2.7in 35.9 × 52.0 × 69.0mm
Product Weight 产品重量	4.2 ± 0.2oz 119.0 ± 5.0g
Material(s) 主要材质	Aluminum Alloy 铝合金

* Specifications subject to change without prior notice. Please refer to the physical product for the most up-to-date information.

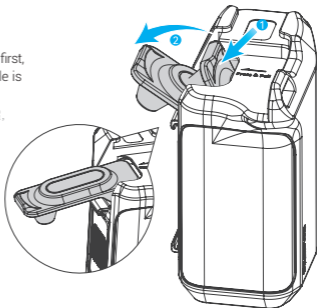
技术参数如有改动，以实物为准，恕不另行通知。

Installation Instructions / 安装步骤

Step 1 / 步骤一

Press down the shutter trigger first, then pull it out until the handle is fully extended.

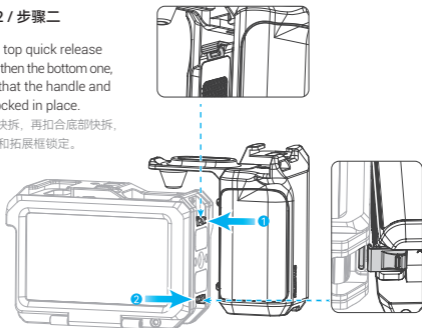
先向下按压，再拉出快门触发键，直至手柄完全打开。



Step 2 / 步骤二

Secure the top quick release clamp first, then the bottom one, and verify that the handle and cage are locked in place.

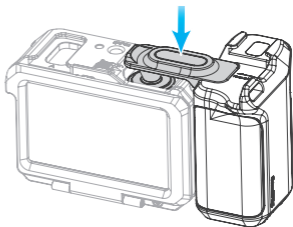
先扣合顶部快拆，再扣合底部快拆，并检查手柄和拓展框锁定。



Step 3 / 步骤三

Use your thumb or index finger to activate the shutter button for shooting.

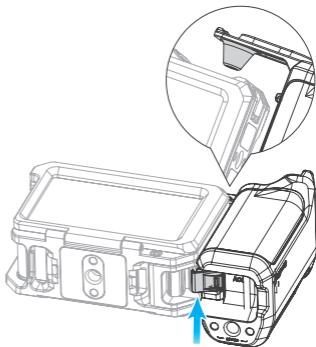
大拇指或者食指触发快门键进行创作。



Step 4 / 步骤四

Unlock the bottom quick release clamp first, then push the handle upward until it is fully released.

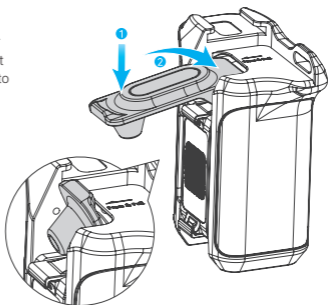
先解锁底部快拆，
向上推动手柄，
直至手柄完全解锁。



Step 5 / 步骤五

Press down the shutter trigger first, then push it inward and downward to stow the handle.

先向下按压快门触发键，
再向内向下推动，
即可完成手柄收纳。



Manufacturer Email: support@smallrig.com

Manufacturer: Shenzhen Leqi Innovation Co., Ltd.

Addr: Rooms 101, 701, 901, Building 4, Gonglianfuji Innovation Park, No. 58, Ping'an Road, Dafu Community, Guanlan Street, Longhua District, Shenzhen, Guangdong, China.

Consignor: Shenzhen LC Co., Ltd.

Addr: Room 201, Building 4, Gonglianfuji Innovation Park, No. 58, Ping'an Road, Dafu Community, Guanlan Street, Longhua District, Shenzhen, Guangdong, China.

制造商: 深圳市乐其创新股份有限公司

地址: 中国广东省深圳市龙华区观澜街道大富社区平安路58号共联富基创新园4栋101、701、901

委托商: 深圳市乐长科技有限公司

地址: 中国广东省深圳市龙华区观澜街道大富社区平安路58号共联富基创新园4栋201



WE ARE HERE FOR YOU
服务与支持



ETICHETTATURA AMBIENTALE
ENVIRONMENTAL LABELING

执行标准: GB/T 26572-2011

EC REP GAVIMOSA CONSULTORIA, SOCIEDAD LIMITADA, CASTELLANA 9144, 28046 Madrid, compliance.gavimosa@outlook.com

UK REP Sea&Mew Accounting Ltd, Electric Avenue Vision 25, London, Enfield EN3 7GD, info@seamew.net

CE RoHS



FR
LE TRI
+ FACILE



Boîte 1



Papier 5



Sachet 3



合格证
已检验



Séparez les éléments avant de trier

Made in China | 中国制造