

SmallRig

Operating Instruction

操作指引

Betriebsanweisungen

Instructions opérationnelles

Istruzioni per l'uso

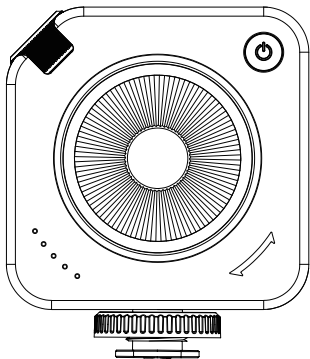
Instrucciones operativas

Instruções de funcionamento

Gebruiksaanwijzing

Bruksanvisning

操作ガイド



P108 Neo

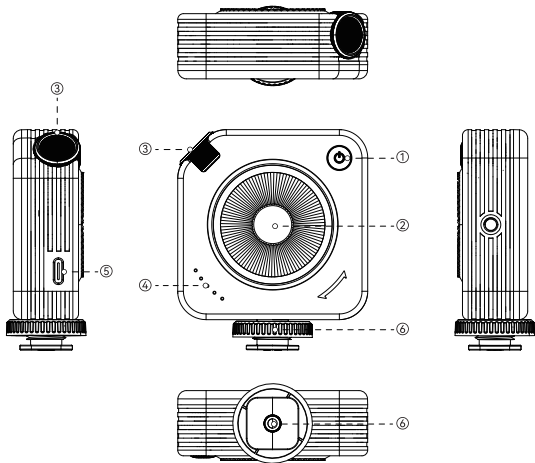
mini LED Video Light

P108 Neo 迷你补光灯

Nebula Gray / 星云灰

Product Details | 产品介绍

Produkte | Introduction du produit | Descrizione del prodotto | Presentación del producto | Apresentação do Produto | Productinleiding | Produktbeskrivning | 製品詳細



EN

- ① **ON / OFF Button:** Press and hold for 3 seconds to turn ON / OFF.
Single-click to cycle through three modes: CCT / Hue-Brightness / FX.
- ② **Stepless Brightness Dial:** Rotate to adjust brightness from 0% to 100%. The light blinks twice when the maximum or minimum brightness is reached.
- ③ **Stepless Multi-Function Knob:**
In CCT mode: rotate to adjust colour temperature 2700 K – 6500 K; blinks twice at the limits.
In Hue-Brightness mode: rotate to shift hue 0° – 360°. In FX mode: rotate to select from 12 built-in effects (police car, ambulance, fire truck, RGB slow fade, RGB fast fade, lightning 1, lightning 2, TV, candle, fireworks, pulse, party).
- ④ **LED Indicators:** Five LEDs show remaining capacity—1 to 5 lit LEDs indicate 20%, 40%, 60%, 80%, and 100% respectively. When capacity drops below 10%, the last LED flashes. During charging the LEDs flash in sequence; all five stay on when fully charged.
- ⑤ **USB-C Input:** 5V = 2A (Max 10W). PD-compatible and supports:
QC2.0 / AFC / FCP: 5V = 3A, 9V = 2A, 12V = 1.5A; APPLE-2.4A: 5V = 2.4A; BC1.2: 5V = 1.5A
- ⑥ 1/4" Thread & Cold Shoe Mount

ⓘ Note: For long-term reliability, charge the device fully at least once every three months of non-use and store it in the environment described in "Important Prompts " 7-11.

CN

- ① **开关按键:** 长按3s进行开机 / 关机。单击循环切换 双色温 / 色相亮度调节 / 特效模式。
- ② **无极亮度调节转盘:** 旋转转盘调节亮度, 0% - 100%可调, 达到最高 / 最低亮度时会闪烁两次提示。
- ③ **无极多功能调节旋钮:**
双色温模式下, 旋转旋钮调节色温, 2700 - 6500K色温可调, 达到最高 / 最低色温时会闪烁两次提示;
色相亮度调节模式下, 旋转旋钮调节色相, 0° ~ 360° 可调; 特效模式下, 旋转旋钮更换特效类型, 包括12种常见特效 (警灯, 救护车灯, 消防车灯, RGB慢速渐变, RGB快速渐变, 闪电1, 闪电2, 电视机, 烛火, 烟花, 脉搏, 派对)
- ④ **LED指示灯:** 5颗LED指示灯, 1 ~ 5颗LED常亮分别代表剩余电量 20% / 40% / 60% / 80% / 100%;
电量低于10%时, 最后一颗LED闪烁。充电时依次闪烁, 充满后5颗LED常亮。
- ⑤ **USB-C 输入:** 5V = 2A (Max 10W) 兼容PD协议, 并支持以下协议:
QC2.0 / AFC / FCP: 5V = 3A, 9V = 2A, 12V = 1.5A; APPLE-2.4A: 5V = 2.4A; BC1.2: 5V = 1.5A。
- ⑥ 1/4" 螺纹口 & 冷靴底座

ⓘ 注意: 为了保证设备长期正常工作, 建议在长时间 (三个月以上) 不使用的情况下, 也要定期将设备充满电, 并放置在“重要提示”7-11提及的储存环境中。

DE

- ① **Ein- / Aus-Taste:** 3 Sekunden lang drücken zum Ein- / Ausschalten; einmal klicken, um durch die drei Modi CCT / Farbton-Helligkeit / FX zu schalten.
- ② **Stufenlose Helligkeits-Drehscheibe:** 2.Drehen, um Helligkeit 0 – 100% einzustellen; Licht blinkt zweimal am oberen / unteren Ende.
- ③ **Stufenloser Multifunktions-Drehregler:** CCT-Modus: Farbtemperatur 2700K–6500K einstellen; zweimaliges Blinken an den Grenzen. Farbton-Helligkeits-Modus: Farbton 0°–360° verschieben. FX-Modus: Drehen, um aus 12 eingebauten Effekten auszuwählen (Polizeiwagen, Krankenwagen, Feuerwehrwagen, Feuerwerk, Puls, Party).
- ④ **LED-Anzeige:** Fünf LEDs zeigen die Restkapazität an – 1 bis 5 leuchtende LEDs entsprechen 20%, 40%, 60%, 80% bzw. 100%. Fällt die Kapazität unter 10%, blinkt die letzte LED. Während des Ladens blinken die LEDs nacheinander; bei vollem Akku leuchten alle fünf durchgehend.
- ⑤ **USB-C-Eingang:** 5V ⇔ 2A (Max. 10W). PD-kompatibel und unterstützt:
QC2.0 / AFC / FCP: 5V = 3A, 9V = 2A, 12V = 1.5A; APPLE-2.4A: 5V = 2.4A; BC1.2: 5V = 1.5A
- ⑥ 1/4" -Zoll-Gewinde & Cold-Shoe-Mount.

⚠ Hinweis: Für langfristige Zuverlässigkeit sollte das Gerät mindestens alle drei Monate bei Nichtgebrauch vollständig geladen und in der in "Important Prompts" 7–11 beschriebenen Umgebung aufbewahrt werden.

FR

- ① **Bouton Marche / Arrêt:** appuyer 3 s pour allumer/éteindre ; un clic pour basculer CCT / Teinte-Luminosité / FX.
- ② **Molette de luminosité continue:** tourner pour régler 0–100 % ; clignote deux fois aux limites.
- ③ **Molette multifonction continue:**
 - Mode CCT: température 2700K–6500K ; double clignotement aux extrêmes.
 - Mode Teinte-Luminosité: teinte 0°–360°.
 - Mode FX: choisir parmi 12 effets (police, ambulance, camion de pompiers, RGB fondu lent, RGB fondu rapide, éclair 1, éclair 2, TV, bougie, feu d'artifice, pouls, fête).
- ④ **Indicateurs LED:** cinq LED indiquent le niveau de charge – 1 à 5 LED allumées correspondent respectivement à 20%, 40%, 60%, 80% et 100%. Lorsque la charge tombe sous 10%, la dernière LED clignote. Pendant la charge, les LED clignotent séquentiellement; les cinq restent allumées une fois la batterie pleine.
- ⑤ **Entrée USB-C:** 5V = 2A (max. 10W). Compatible PD et prend en charge:
QC2.0 / AFC / FCP: 5V = 3A, 9V = 2A, 12V = 1.5A; APPLE-2.4A: 5V = 2.4A; BC1.2: 5V = 1.5A
- ⑥ 1/4" -Zoll-Gewinde & Cold-Shoe-Mount.

⚠ Remarque: pour garantir la fiabilité à long terme, rechargez complètement l'appareil au moins une fois tous les trois mois en cas de non-utilisation et stockez-le dans l'environnement décrit dans les Important Prompts 7 à 11.

IT

- ① **Pulsante ON / OFF:** tieni premuto 3 s per accendere/spengere; clic singolo per scorrere CCT / Tonalità-Luminosità / FX.
- ② **Rotella luminosità continua:** ruota per regolare 0–100 %; led lampeggia due volte agli estremi.
- ③ **Molette multifonction continue:**
 - Modalità CCT: temperatura 2700K–6500K; doppio lampeggio ai limiti.
 - Modalità Tonalità-Luminosità: tonalità 0°–360°.
 - Modalità FX: seleziona tra 12 effetti (auto di polizia, ambulanza, camion dei pompieri, RGB slow fade, RGB fast fade, fulmine 1, fulmine 2, TV, candela, fuochi d'artificio, polso, festa).
- ④ **Indicatori LED:** cinque LED indicano il livello di carica – da 1 a 5 LED accesi corrispondono rispettivamente al 20%, 40%, 60%, 80% e 100%. Quando la carica scende sotto il 10%, l'ultimo LED lampeggia. Durante la ricarica i LED lampeggiano in sequenza; tutti e cinque restano accesi a carica completata.
- ⑤ **Ingresso USB-C:** 5V = 2A (max 10W). Compatibile PD e supporta:
QC2.0 / AFC / FCP: 5V = 3A, 9V = 2A, 12V = 1.5A; APPLE-2.4A: 5V = 2.4A; BC1.2: 5V = 1.5A
- ⑥ Filettatura 1/4" e supporto cold-shoe.

Nota: per garantire l'affidabilità a lungo termine, ricaricare completamente il dispositivo almeno una volta ogni tre mesi di inutilizzo e conservarlo nell'ambiente descritto nei "Prompt importanti" 7-11.

ES

- ① **Botón ON / OFF:** mantener 3s para encender / apagar; clic único para ciclar CCT / Matiz-Brillo / FX.
- ② **Rueda de brillo sin escalones:** girar para ajustar 0–100%; luz parpadea dos veces en los extremos.
- ③ **Perilla multifunción sin escalones:**
 - Modo CCT: temperatura 2700K–6500K; doble parpadeo en los límites.
 - Modo Matiz-Brillo: matiz 0°–360°.
 - Modo FX: elegir entre 12 efectos (coche policía, ambulancia, camión bomberos, RGB desvanecimiento lento, RGB desvanecimiento rápido, relámpago 1, relámpago 2, TV, vela, fuegos artificiales, pulso, fiesta).
- ④ **Indicadores LED:** cinco LEDs muestran la carga restante; de 1 a 5 LEDs encendidos indican, respectivamente, 20%, 40%, 60%, 80% y 100%. Cuando la carga baja del 10%, el último LED parpadea. Durante la carga los LEDs parpadean secuencialmente; todos permanecen encendidos al finalizar.
- ⑤ **Entrada USB-C:** 5V = 2A (máx. 10W). Compatible con PD y soporta:
QC2.0 / AFC / FCP: 5V = 3A, 9V = 2A, 12V = 1.5A; APPLE-2.4A: 5V = 2.4A; BC1.2: 5V = 1.5A
- ⑥ Rosca de 1/4" y soporte cold-shoe.

Nota: para garantizar la fiabilidad a largo plazo, recargue completamente el dispositivo al menos una vez cada tres meses si no se utiliza y guárdelo en el entorno descrito en "Important Prompts" 7-11.

PT

- ① **Botão LIGAR / DESLIGAR:** pressionar 3 s para ligar / desligar; clique único para alternar CCT / Matiz-Brilho / FX.
- ② **Disco de brilho contínuo:** girar para ajustar 0–100 %; luz pisca duas vezes nos extremos.
- ③ **Perilla multifunción sin escalones:**
 - Modo CCT: temperatura 2700K–6500K; duplo piscar nos limites.
 - Modo Matiz-Brilho: matiz 0°–360°.
 - Modo FX: selecionar entre 12 efeitos (carro polícia, ambulância, caminhão bombeiros, RGB fade lento, RGB fade rápido, relâmpago 1, relâmpago 2, TV, vela, fogos de artifício, pulso, festa).
- ④ **Indicadores LED:** cinco LEDs mostram a carga restante – 1 a 5 LEDs acesos indicam, respectivamente, 20%, 40%, 60%, 80% e 100%. Quando a carga fica abaixo de 10%, o último LED pisca. Durante a recarga os LEDs piscam sequencialmente; todos ficam acesos quando a bateria está cheia.
- ⑤ **Entrada USB-C:** 5V = 2A (máx. 10W). Compatível com PD e suporta:
QC2.0 / AFC / FCP: 5V = 3A, 9V = 2A, 12V = 1.5A; APPLE-2.4A: 5V = 2.4A; BC1.2: 5V = 1.5A
- ⑥ Rosca de 1/4" e suporte cold-shoe.

📌 **Nota:** para garantir confiabilidade a longo prazo, recarregue completamente o dispositivo pelo menos uma vez a cada três meses de não uso e guarde-o no ambiente descrito em "Important Prompts" 7-11.

NL

- ① **AAN / UIT-knop:** 3 seconden ingedrukt houden voor aan/uit; enkele klik om te wisselen CCT / Tint-Helderheid / FX.
- ② **Traploze helderheidsdraaiknop:** draaien voor 0–100 %; licht knippert tweemaal bij grenzen.
- ③ **Steglös multifunktions-dreknop:**
 - CCT-modus: kleurtemperatuur 2700K–6500K; dubbel knippen bij limieten.
 - Tint-Helderheid-modus: tint 0°–360°.
 - FX-modus: kiezen uit 12 effecten (politieauto, ambulance, brandweerwagen, RGB slow fade, RGB fast fade, bliksem 1, bliksem 2, TV, kaars, vuurwerk, pols, feest).
- ④ **LED-indicatoren:** vijf LED's tonen restcapaciteit – 1 tot 5 brandende LED's geven respectievelijk 20%, 40%, 60%, 80% en 100% weer. <10% laatste LED knippert. Tijdens opladen knippen de LED's opeenvolgend; alle vijf branden continu bij volle accu.
- ⑤ **USB-C-ingang:** 5V = 2A (max 10W), PD-compatibel en ondersteunt:
QC2.0 / AFC / FCP: 5V = 3A, 9V = 2A, 12V = 1.5A; APPLE-2.4A: 5V = 2.4A; BC1.2: 5V = 1.5A
- ⑥ 1/4" schroefdraad & cold-shoe-bevestiging.

📌 **Opmerking:** voor langdurige betrouwbaarheid minstens eens per drie maanden volledig opladen bij niet-gebruik en opslaan in de omgeving beschreven in "Belangrijke prompts" 7–11.

SE

- ① **På / Av-knapp:** Håll intryckt i 3 sekunder för att slå på/stänga av. Klicka en gång för att växla mellan tre lägen: CCT / Nyans-Ljusstyrka / FX.
- ② **Steglös Ljusstyrke-ratt:** Vrid för att justera ljusstyrkan från 0% till 100%. Lampan blinkar två gånger när maximal eller minimal ljusstyrka uppnås.
- ③ **Steglös multifunktions-dreknop:** I CCT-läge: vrid för att justera färgtemperaturen 2700 K – 6500 K; blinkar två gånger vid gränsvärdena. I Nyans-Ljusstyrka-läge: vrid för att ändra nyansen 0° – 360°. I FX-läge: vrid för att välja mellan 12 inbyggda effekter (polisbil, ambulans, brandbil, RGB långsam toning, RGB snabb toning, blix1, blix2, TV, stearinljus, fyrverkeri, pulsering, fest).
- ④ **LED-indikatorer:** Fem lysdioder visar återstående batterikapacitet – 1 till 5 tända lysdioder indikerar 20%, 40%, 60%, 80% respektive 100%. När kapaciteten sjunker under 10% blinkar den sista lysdioden. Under laddning blinkar lysdioderna i följd; alla fem lyser konstant när enheten är fulladdad.
- ⑤ **USB-C-ingång:** 5V = 2A (max 10W). PD-kompatibel och stöder: QC2.0 / AFC / FCP: 5V = 3A, 9V = 2A, 12V = 1.5A; APPLE-2.4A: 5V = 2.4A; BC1.2: 5V = 1.5A
- ⑥ 1/4"-gänga & kallskofäste

ⓘ Observera: För långsiktig tillförlitlighet ska enheten laddas fullt minst en gång var tredje månad vid icke-användning och förvaras i den miljö som beskrivs i "Viktiga anvisningar" 7–11.

JP

- ① **電源ボタン:** 3秒長押しでON/OFF; シングルクリックでCCT / 色相-明るさ / FXモードを循環切替。
- ② **無段階明るみダイヤル:** 回転で0 ~ 100%調整; 最大 / 最小で2回点滅。
- ③ **無段階マルチファンクションノブ:**
 - CCTモード: 色温度2700K ~ 6500K調整; 上限 / 下限で2回点滅。
 - 色相-明るさモード: 色相0° ~ 360°シフト。
 - FXモード: 12種内蔵エフェクトを選択。
(警察車、救急車、消防車、RGBスローフェード、RGBファストフェード、稲光1、稲光2、テレビ、ろうそく、花火、パルス、パーティー)。
- ④ **LED残量表示:** 5個のLEDで残量を表示。1 ~ 5個点灯で20% / 40% / 60% / 80% / 100%。
10%未満で最後のLEDが点滅。充電中は順次点滅。満充電で5灯常時点灯。
- ⑤ **USB-C入力:** 5V = 2A (最大10W) PD対応、下記プロトコル対応:
QC2.0 / AFC / FCP: 5V = 3A, 9V = 2A, 12V = 1.5A; APPLE-2.4A: 5V = 2.4A; BC1.2: 5V = 1.5A。
- ⑥ 1/4インチネジ & コールドシューマウント

ⓘ ご注意: 長期信頼性を保つため、3ヶ月以上使用しない場合も定期的にフル充電し、「重要な案内7~11」に記載の環境で保管してください。

EN Specifications

Power Consumption(Max)	5W
Color Temperature / Hue	2700K - 6500K (± 200K) / 0° - 360°
Number of LED chips	106 pcs (Warm white / White 39 pcs and RGB 28pcs)
Illuminance	1510 Lux@0.3m / 6500K
CRI Ra	95
TLCI	97
Input	5V = 2A (Max)
Battery Rated Voltage / Capacity	3.7V / 1500mAh / 5.55Wh
Full-Power Run Time	1h 15min
Dimensions	67.5 × 84.5 × 24.0mm / 2.65 × 3.32 × 0.94in
Weight	87.0 ± 10.0g / 3.06 ± 0.35oz
Package Dimensions	120.0 × 102.5 × 43.0mm / 4.7 × 4.0 × 1.7in
Gross Weight	149.0 ± 5.0g / 5.25 ± 0.2oz

CN 产品参数

功率 (Max)	5W
色温 / 色相	2700K - 6500K (± 200K) / 0° - 360°
灯珠数	106颗 (冷暖灯珠各39颗, RGB灯珠28颗)
照度	1510 Lux@0.3m / 6500K
CRI Ra (色彩再现指数)	95
TLCI (电视照明一致性指数)	97
输入电压 / 电流	5V = 2A (Max)
电池参数	3.7V / 1500mAh / 5.55Wh
满功率续航时间	1小时15分
机身尺寸	67.5 × 84.5 × 24mm / 2.65 × 3.32 × 0.94in
机身重量	87.0 ± 10.0g / 3.06 ± 0.35oz
包装尺寸	120.0 × 102.5 × 43.0mm / 4.7 × 4.0 × 1.7in
毛重	149.0 ± 5.0g / 5.25 ± 0.2oz

DE **Produktparameter**

Leistungsaufnahme (Max.)	5W
Farbtemperatur / Hue	2700K - 6500K (± 200K) / 0° - 360°
Anzahl LED-Chips	106 Stk. (Warm-Weiß / Neutral-Weiß 39 Stk. und RGB 28 Stk.)
Beleuchtungsstärke	1510 Lux@0.3m / 6500K
CRI Ra	95
TLCI	97
Eingang	5V = 2A (Max)
Nennspannung / -kapazität des Akkus	3.7V / 1500mAh / 5.55Wh
Vollast-Laufzeit	1 Stunde 15 Minuten
Abmessungen	67.5 × 84.5 × 24mm / 2.65 × 3.32 × 0.94in
Gewicht	87.0 ± 10.0g / 3.06 ± 0.35oz
Verpackungsabmessungen	120.0 × 102.5 × 43.0mm / 4.7 × 4.0 × 1.7in
Bruttogewicht	149.0 ± 5.0g / 5.25 ± 0.2oz

FR **Paramètres du produit**

Consommation électrique (max.)	5W
Température de couleur / Hue	2700K - 6500K (± 200K) / 0° - 360°
Nombre de puces LED	106 pièces (blanc chaud / blanc 39 pièces et RGB 28 pièces)
Éclairage	1510 Lux@0.3m / 6500K
IRC Ra	95
TLCI	97
Entrée	5V = 2A (Max)
Tension / capacité nominale de la batterie	3.7V / 1500mAh / 5.55Wh
Temps de fonctionnement à pleine puissance	1 heure 15 minutes
Dimensions	67.5 × 84.5 × 24mm / 2.65 × 3.32 × 0.94in
Poids	87.0 ± 10.0g / 3.06 ± 0.35oz
Dimensions du colis	120.0 × 102.5 × 43.0mm / 4.7 × 4.0 × 1.7in
Poids brut	149.0 ± 5.0g / 5.25 ± 0.2oz

IT Parametri del prodotto

Consumo energetico (max)	5W
Temperatura colore / Hue	2700K - 6500K (\pm 200K) / 0° - 360°
Numero di chip LED	106 pezzi (bianco caldo / bianco 39 pezzi e RGB 28 pezzi)
Illuminamento	1510 Lux@0.3m / 6500K
CRI Ra	95
TLCI	97
Ingresso	5V \Rightarrow 2A (Max)
Tensione / capacità nominale batteria	3.7V / 1500mAh / 5.55Wh
Durata a piena potenza	1 ora 15 minuti
Dimensioni	67.5 x 84.5 x 24mm / 2.65 x 3.32 x 0.94in
Peso	87.0 \pm 10.0g / 3.06 \pm 0.35oz
Dimensioni confezione	120.0 x 102.5 x 43.0mm / 4.7 x 4.0 x 1.7in
Peso lordo	149.0 \pm 5.0g / 5.25 \pm 0.2oz

ES Parámetros del producto

Consumo de energía (máx.)	5W
Temperatura de color / Hue	2700K - 6500K (\pm 200K) / 0° - 360°
Número de chips LED	106 piezas (blanco cálido / blanco 39 piezas y RGB 28 piezas)
Illuminancia	1510 Lux@0.3m / 6500K
CRI Ra	95
TLCI	97
Entrada	5V \Rightarrow 2A (Max)
Voltaje / capacidad nominal de la batería	3.7V / 1500mAh / 5.55Wh
Tiempo de funcionamiento a plena potencia	1 hora 15 minutos
Dimensiones	67.5 x 84.5 x 24mm / 2.65 x 3.32 x 0.94in
Peso	87.0 \pm 10.0g / 3.06 \pm 0.35oz
Dimensiones del paquete	120.0 x 102.5 x 43.0mm / 4.7 x 4.0 x 1.7in
Peso bruto	149.0 \pm 5.0g / 5.25 \pm 0.2oz

PT Especificações do produto

Consumo de energia (máx.)	5W
Temperatura de cor / Hue	2700K - 6500K (± 200K) / 0° - 360°
Número de chips LED	106 peças (branco quente / branco 39 peças e RGB 28 peças)
Iluminância	1510 Lux@0.3m / 6500K
CRI Ra	95
TLCI	97
Entrada	5V = 2A (Max)
Tensão/capacidade nominal da bateria	3.7V / 1500mAh / 5.55Wh
Tempo de funcionamento	1 hora 15 minutos
Dimensões	67.5 × 84.5 × 24mm / 2.65 × 3.32 × 0.94in
Peso	87.0 ± 10.0g / 3.06 ± 0.35oz
Dimensões da embalagem	120.0 × 102.5 × 43.0mm / 4.7 × 4.0 × 1.7in
Peso bruto	149.0 ± 5.0g / 5.25 ± 0.2oz

NL Productparameters

Stroomverbruik (max.)	5W
Kleurtemperatuur / Hue	2700K - 6500K (± 200K) / 0° - 360°
Aantal LED-chips	106 stuks (warm-wit / wit 39 stuks elk en RGB 28 stuks)
Verlichtingssterkte	1510 Lux@0.3m / 6500K
CRI Ra	95
TLCI	97
Ingang	5V = 2A (Max)
Nominale spanning/capaciteit batterij	3.7V / 1500mAh / 5.55Wh
Looptijd vol vermogen	1 uur 15 minuten
Afmetingen	67.5 × 84.5 × 24mm / 2.65 × 3.32 × 0.94in
Gewicht	87.0 ± 10.0g / 3.06 ± 0.35oz
Verpakking afmetingen	120.0 × 102.5 × 43.0mm / 4.7 × 4.0 × 1.7in
Brutogewicht	149.0 ± 5.0g / 5.25 ± 0.2oz

SE **Produkt Parametrar**

Strömförbrukning (max)	5W
Färgtemperatur / Hue	2700K - 6500K (± 200K) / 0° - 360°
Antal LED-chips	106 st (varmvit/vit 39 st och RGB 28 st)
Belysningsstyrka	1510 Lux@0.3m / 6500K
CRI Ra	95
TLCI	97
Ingång	5V = 2A (Max)
Batteriets nominella spänning/kapacitet	3.7V / 1500mAh / 5.55Wh
Drifttid vid full effekt	1 timme 15 minuter
Mått	67.5 × 84.5 × 24mm / 2.65 × 3.32 × 0.94in
Vikt	87.0 ± 10.0g / 3.06 ± 0.35oz
Förpackningsmått	120.0 × 102.5 × 43.0mm / 4.7 × 4.0 × 1.7in
Bruttovikt	149.0 ± 5.0g / 5.25 ± 0.2oz

JP **製品仕様**

消費電力 (最大)	5W
色温度 / 色相	2700K - 6500K (±200K) / 0°-360°
LEDチップ数	106個 (ウォームホワイト / ホワイト各39個、RGBWW 28個)
照度	1510 Lux@0.3m / 6500K
CRI Ra	95
TLCI	97
入力	5V = 2A (Max)
バッテリー定格電圧 / 容量	3.7V / 1500mAh / 5.55Wh
満出力連続点灯時間	1時間15分
外形寸法	67.5 × 84.5 × 24mm / 2.65 × 3.32 × 0.94in
質量	87.0 ± 10.0g / 3.06 ± 0.35oz
パッケージ寸法	120.0 × 102.5 × 43.0mm / 4.7 × 4.0 × 1.7in
総重量	149.0 ± 5.0g / 5.25 ± 0.2oz

Important Reminder

1. Please keep the user manual properly. For your safety and the safety of others, please ensure that this user manual is enclosed with the gear when it is borrowed by someone.
2. Please read all warnings carefully and adhere to the gear usage specifications outlined in this manual.
3. Children should only operate this equipment under adult supervision. Please do not leave the gear unattended without continuous supervision.
4. To avoid stumbling over the power cable or accidentally pulling it, which may cause the gear to lose power, please properly secure the power cable after use. Also, be cautious and make sure not to place the power cable near heat sources or interfaces.
5. Please do not operate the gear or power cable if they are damaged. In the event that the gear or accessories are damaged or experiencing a fault, please seek assistance from a qualified repairing engineer.
6. Please make sure that the gear has cooled down before storage. Place it in the appropriate compartment in the carry bag.
7. To ensure proper operation of the gear, it is recommended to store it in a cool, dry, and clean environment. Do not store the gear near damp areas or in the vicinity of liquids, flammable substances, or volatile solvents to avoid damaging the gear.
8. Charging temperature: 0 to 45°C (14 to 113°F); Working temperature: -10 to 45°C (14 to 113°F)
9. Storage temperature: One month: -20 to 60°C (-4 to 140°F); Three month: -20 to 45°C (-4 to 113°F); One year: -20 to 20°C (-4 to 68°F)
10. Reference storage temperature/ humidity: 20°C ± 5°C (59 to 77°F) / 60 ± 15%
11. If you need to clean the surface of this gear, please use a dry, soft cloth for cleaning. Before cleaning and performing maintenance, make sure to disconnect the power adapter and body connection cable.
12. To reduce the risk of electric shock, it is strictly prohibited to immerse this gear in water or any other liquids.
13. To reduce the risk of electric shock, it is strictly prohibited to dismantle this gear without authorization. If the gear malfunctions and requires repairs, please consult the relevant purchase channel and submit it to professional repair personnel. Non-standard assembly and repairs may cause safety hazards. Unauthorized dismantling is strictly prohibited and, once verified, SmallRig will consider the warranty void.
14. Using non-SmallRig recommended accessories may cause hazards such as fire or electric shock. Please refer to the accessories provided by SmallRig or use certified accessories from qualified manufacturers based on the specifications provided by SmallRig. If it is verified that the use of non-compliant accessories leads to gear malfunction, SmallRig will consider the warranty void.
15. This gear has been certified with CE, RoHS, FCC, ISED, RCM, MSDS, UN38.3, and other certifications. Please refer to the relevant national standards for use and operation. SmallRig will verify and consider the warranty void for gear malfunctions caused by improper operation. This user manual is created based on rigorous testing by SmallRig, and in the event of any changes in design and specifications, no separate notification will be provided.

FCC Compliance Statement:

This device complies with Part 15 of the FCC Rules. Operation of this device is subject to the following two conditions:
This device may not cause harmful interference.

This device must accept any interference received, including interference that may cause undesired operation.
Unauthorized modifications to this device will void the warranty.

Note:

This equipment has been tested and found to comply with the limits for a Class B digital device, pursuant to Part 15 of the FCC Rules. These limits are designed to provide reasonable protection against harmful interference in residential installations. This equipment generates, uses, and can radiate radio frequency energy. If not installed and used in accordance with the instructions, it may cause harmful interference to radio communications. However, there is no guarantee that interference will not occur in a particular installation. If this equipment does cause harmful interference to radio or television reception, which can be determined by turning the equipment off and on, the user is encouraged to try one or more of the following measures to resolve the interference:

Reorient or relocate the receiving antenna.

Increase the separation between the equipment and receiver.

Connect the equipment into an outlet on a circuit different from that to which the receiver is connected.

Consult the dealer or an experienced radio / TV technician for help.

FCC Radiation Exposure Statement: This device complies with FCC radiation exposure limits set forth for uncontrolled environments.

Guarantee Card

ID No.	
Item Name	
Purchase Date	
User Name	
Mobile	
Address	
Receipt	

Service & Warranty

Please keep your original receipt and guarantee card. Be sure the dealer has written on it the date of purchase and SN of the product. These are required for warranty service.

After-sale Warranty Terms:

SmallRig products are entitled to warranty services as of the date of payment.

- **Electronic products (except V mount battery):** 1-year warranty.
- **V mount battery:** 2-year warranty.
- **Non-electronic products:** 2-year warranty.

Note: In case of any conflict between our warranty period policy and applicable laws and regulations of the country / region where the products are sold, the latter shall prevail.

This Warranty Does Not Cover:

- If users fail to adhere to the "Operating Instruction" or any "Warnings" stated in the user manual, resulting in a quality failure, it falls outside the scope of warranty coverage.
- The product identification or SN label is removed or defaced in any way.
- Product damage caused by problems not attributable to the quality of the products such as improper use of the products.
- Product damage caused by unauthorized modification, disassembly, repair and other acts.
- Product damage caused by fires, floods, lightning and other force majeure factors.

Warranty Mode:

- For the products within the scope of warranty, SmallRig will repair or replace them on the basis of specific failures; the repaired / replaced products / parts are entitled to the remaining part of the original warranty period.

Contact Information:

- You're advised to contact the online customer service personnel of corresponding shopping platform and submit a repair service application.
- You may also apply for repair service through SmallRig's service email.

Service Email: support@smallrig.com

重要提示

1. 请妥善保管该手册。为了您和他人的安全，在将设备交给他人使用时，请务必附带本手册。
2. 请注意所有警告提示，并遵循本手册的设备使用规范。
3. 儿童使用设备时，应由成人监督和陪同。请勿将设备置于无人看管状态。
4. 使用后请妥善归置电源线，以避免设备被电源线绊倒或拉扯电源线导致设备断电。请记住，电源线不可接触灼热表面。
5. 请勿操作损坏的设备或电源线损坏的附件。一旦设备或附件损坏或故障，请寻找合格的维修人员检查。
6. 在存放和收纳之前，请确保设备完全冷却。待设备冷却后，请将其放置在收纳包的相应位置。
7. 为了保证设备正常运作，建议将其存放在阴凉、干燥、整洁的环境中。请勿将本设备存放在潮湿、有液体或其他易燃、易挥发溶剂附近，以避免损坏设备。
8. 充电温度：0 ~ 45°C (14 ~ 113°F)，工作温度：-10 ~ 45°C (14 ~ 113°F)
9. 储存温度为：一个月：-20 ~ 60°C (-4 ~ 140°F)；三个月：-20 ~ 45°C (-4 ~ 113°F)；一年：-20 ~ 20°C (-4 ~ 68°F)
10. 参考储存温度 / 湿度：20°C ± 5°C (59 ~ 77°F) / 60 ± 15%
11. 如果需要清洁本设备表面，请使用干燥的软布进行清洁。在清洁和维修之前，请务必拔下电源适配器和机身连接线。
12. 为降低电击风险，严禁将本设备浸入水中或其他液体中。
13. 为降低电击风险，严禁私自拆卸本设备。如果设备出现故障需要维修，请咨询相关购买渠道并交由专业维修人员处理。非规范的组装和维修可能存在安全隐患，未经授权禁止私自拆卸，一经核实，SmallRig将执行保修无效操作。
14. 使用非SmallRig推荐的配件可能会引起火灾或电击等危险。请参考SmallRig提供的配件，或根据SmallRig提供的规格信息，使用经过合格制造商认证的配件。如果经核实，使用不合格的配件导致设备故障，SmallRig将执行保修无效操作。
15. 本设备已通过CE、RoHS、FCC、ISED、RCM、MSDS、UN38.3等认证。请参考相关国家标准进行使用和操作。因操作不当导致的设备故障，SmallRig会核实并执行保修无效操作。此用户手册根据SmallRig严格测试制定，设计和规格如有变更，恕不另行通知。

FCC符合声明：

此设备符合FCC规则第15部分中的规定。操作此设备须符合以下两个条件：

此设备不会产生有害干扰。此设备能够接受任何外来干扰，包括可能导致非预期操作的干扰。

未经SmallRig许可进行改装将使设备的保修权利失效。

此设备经过测试确保符合B类数码设备（根据FCC规则第15部分规定）的限制。这些限制的设计旨在为居住场所安装条件下的有害干扰提供合理的保护。此设备产生、使用并可发射射频能量。如果设备未按照指示安装和使用，可能会对无线电通信造成有害干扰。然而，在特定的安装条件下，无法保证不会发生此类干扰。如果此设备确实对无线电或电视接收产生有害干扰，可以通过关闭和打开设备来确定，建议用户尝试以下一种或多种方法来消除干扰：

扩大设备与接收器之间的距离。将设备连接到其他电路插座中，而不是接收器所连接的电路插座。咨询经销商或有经验的无线电/电视技术人员以获得帮助。

FCC辐射暴露声明：

本设备符合FCC针对未受控制环境所限制的辐射暴露限制。

保修条款

请保留您的原始购买单据及保修卡，同时包含您的购买日期、产品序列号等，这些资料质保服务时均需要提供。

📄 售后质保条款：

SmallRig产品自下单付款之日起享有质保服务。

- 电子产品 (除V口电池)：1年质保。
- V口电池：2年质保。
- 非电子产品：2年质保。

注：若销售地国家或地区的适用法律法规有冲突的，以销售地国家或地区有关质保期的法律法规为准。

📄 质保无效说明：

- 当用户违反操作指引或用户手册中“重要提示”任何一条导致的质量失效，不在质保范围内。
- 产品序列号标识已经被撕毁或无法辨识，不在质保范围。
- 产品使用不当等非产品本身质量问题，而造成的产品损坏，不在质保范围。
- 非官方指导的私自改装、拆解、维修等行为而造成的损坏，不在质保范围。
- 因火灾、水灾、雷击等不可抗力造成的产品损坏，不在质保范围。

📄 维修方式：

- 属于质保范围的，SmallRig 根据产品具体的故障对产品进行维修或更换；
维修后的产品 / 部件享受原有保修期的剩余时长。

📄 联系方式：

- 建议您优先前往相应购买平台联系在线客服，提出产品维修申请。
- 您也可以通过 SmallRig 服务邮箱申请维修服务。服务邮箱：support@smallrig.com

保修卡

ID 编号	
产品名称	
购买日期	
用户姓名	
用户电话	
用户地址	
购买单据	

Manufacturer Email: support@smallrig.com
Manufacturer: Shenzhen Leqi Innovation Co., Ltd.
Add: Room 101, 701, 901, Building 4, Gonglianfuji Innovation Park, No. 58, Ping'an Road, Dafu Community, Guanlan Street, Longhua District, Shenzhen, Guangdong, China.

Consignor: Shenzhen LC Co., Ltd.
Add: Room 201, Building 4, Gonglianfuji Innovation Park, No. 58, Ping'an Road, Dafu Community, Guanlan Street, Longhua District, Shenzhen, Guangdong, China.

制造商: 深圳市乐其创新股份有限公司
地 址: 中国广东省深圳市龙华区观澜街道大富社区平安路58号共联富创新园4栋101、701、901

委托商: 深圳市乐长科技有限公司
地 址: 中国广东省深圳市龙华区观澜街道大富社区平安路58号共联富创新园4栋201

EC REP

GAVIMOSA CONSULTORIA, SOCIEDAD LIMITADA, CASTELLANA 9144, 28046 Madrid, compliance.gavimosa@outlook.com

UK REP

Sea&Mew Accounting Ltd,
 Electric Avenue Vision 25, London, Enfield EN3 7GD, info@seamew.net



WE ARE HERE FOR YOU
 服务与支持

ETICHETTATURA AMBIENTALE
 ENVIRONMENTAL LABELING



RoHS



FR
 Cet appareil, ses cordons, et batterie se recyclent

À DÉPOSER EN MAGASIN

OU

À DÉPOSER EN DÉCHÈTERIE



FR
 Boîte + Papier



RECICLA
 Al Azul

Made in China
 中国制造

Points de collecte sur www.quefairedemesdechets.fr
 Privilégiez la réparation ou le don de votre appareil !

执行标准: GB 7000.1-2015

LQ-B904-18