

SmallRig

Handheld Shock Absorber Support

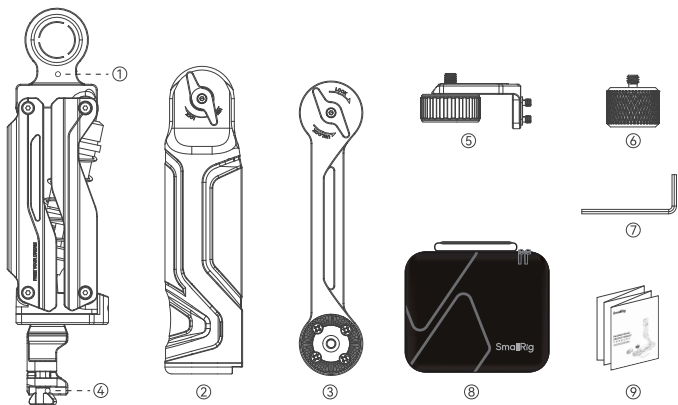
手持减震支撑件

User Manual | 用户手册



- Thank you for purchasing SmallRig's product.
感谢您购买 SmallRig 产品。
- Please read this User Manual carefully.
使用本产品之前，请仔细阅读用户手册。
- Please follow the safety warnings.
请注意所有警告提示并遵循使用用户手册的所有指令。

In the Box / 包装清单



- | | | | | | |
|---------------------------------|-----|------------------------|-----|------------------------|-----|
| ① Shock Absorber Support 减震臂 | × 1 | ④ Adapter 转接件 | × 1 | ⑦ Allen Wrench 六角扳手 | × 1 |
| ② Handle 手柄 | × 1 | ⑤ Mount Plate 安装板 | × 1 | ⑧ Carrying Bag 收纳包 | × 1 |
| ③ Extension Arm 延长臂 | × 1 | ⑥ Counterweight 配重块 | × 1 | ⑨ User Manual 用户手册 | × 1 |

Product Details / 产品介绍

Adapter
转接件

Shock Absorber Support
减震臂

Extension Arm
延长臂

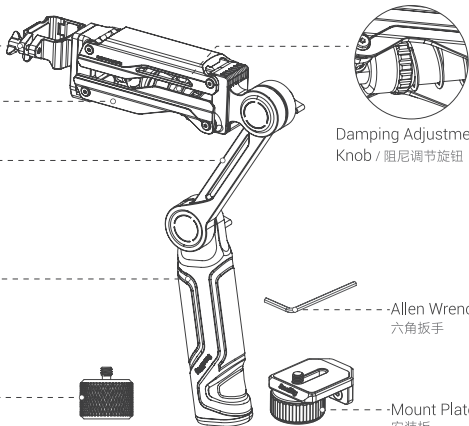
Handle
手柄

Counterweight
配重块

Damping Adjustment
Knob / 阻尼调节旋钮

Allen Wrench
六角扳手

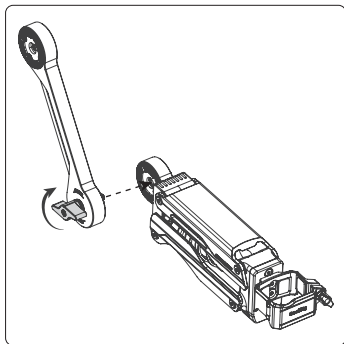
Mount Plate
安装板



Installation Instruction / 安装步骤

Step 1 / 步骤一

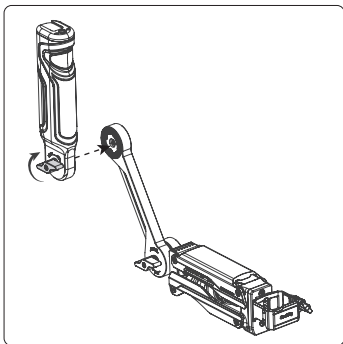
Install the extension arm
and shock absorber support.
连接延长臂与减震臂



Step 2 / 步骤二

Install the handle and extension arm.

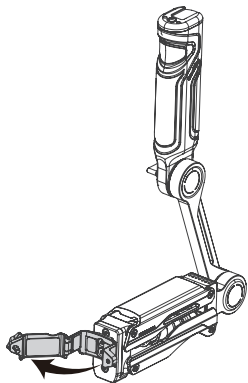
连接手柄与延长杆



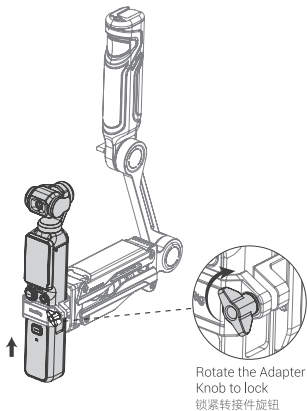
Step 3 / 步骤三

Installing Pocket 3 / 安装Pocket 3

- A** Open the Pocket 3 Adapter
打开Pocket 3 转接件



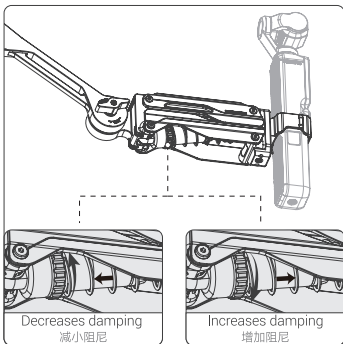
- B** Install Pocket 3
装上Pocket 3



Step 4 / 步骤四

Shock absorber arm damping adjustment: As shown in the figure, rotate upward to increase damping, rotate downward to decrease.

减震臂阻尼调节：如图示往右边拧旋钮阻尼调大，往左边拧旋钮阻尼调小。



Safety Guidelines / 注意事项

- After setting up the equipment and adjusting it to a suitable angle, the optimal shooting position is when the shock-absorbing arm is horizontal while holding the handle.

装好设备，调整到合适的角度后，手持手柄时减震臂处于水平状态下即为最佳拍摄状态。

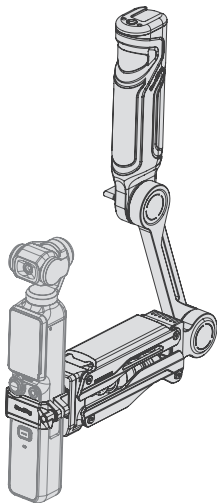
- When using, do not place your hands on the shock absorber arm spring or the angle position to avoid being pinched.

使用时请勿将手放在减震臂弹簧处或夹角位置，避免被夹伤。

Compatibility / 适配性

1. Compatible with action cameras featuring a 1/4"-20 threaded hole at the bottom, such as DJI Osmo Pocket, GoPro HERO13 Black, and Insta360 X5 / X4 / X3.
2. Compatible with action cameras with a cage (featuring a 1/4"-20 threaded hole), such as GoPro HERO 13 Black, HERO 12 Black, HERO11 Black, HERO10 Black, HERO9 Black, and DJI Osmo Action 6 / 5 Pro / 4 / 3.

1. 兼容DJI Osmo Pocket、GoPro HERO13 Black、Insta360 X5 / X4 / X3 等底部带1/4"-20 螺纹孔的运动相机。
2. 适配装有拓展框（带1/4"-20 螺纹孔）的GoPro HERO13 Black / HERO12 Black / HERO11 Black / HERO10 Black / HERO9 Black、DJI Osmo Action 6 / 5 Pro / 4 / 3等运动相机。



Specifications / 产品参数

| | |
|----------------------------|--|
| Product Dimensions 产品尺寸 | 11.8 × 8.5 × 2.6in 300.0 × 217.0 × 66.0mm |
| Product Weight 产品重量 | 39.6 ± 0.2oz 1120.0 ± 5.0g |
| Material(s) 主要材质 | Aluminium Alloy, ABS+PC, Stainless Steel 铝合金、塑胶、不锈钢 |

☒ Specifications subject to change without prior notice. Please refer to the physical product for the most up-to-date information.

技术参数如有改动，以实物为准，恕不另行通知。

Service & Warranty

Please keep your original receipt and guarantee card. Be sure the dealer has written on it the date of purchase and SN of the product. These are required for warranty service.

☒ After-sale Warranty Terms:

SmallRig products are entitled to warranty services as of the date of payment.

- **Electronic products (except V mount battery):** 1-year warranty.
- **V mount battery:** 2-year warranty.
- **Non-electronic products:** 2-year warranty.

Note: In case of any conflict between our warranty period policy and applicable laws and regulations of the country / region where the products are sold, the latter shall prevail.

☒ This Warranty Does Not Cover:

- If users fail to adhere to the "Operating Instruction" or any "Warnings" stated in the user manual, resulting in a quality failure, it falls outside the scope of warranty coverage.
- The product identification or SN label is removed or defaced in any way.
- Product damage caused by problems not attributable to the quality of the products such as improper use of the products.
- Product damage caused by unauthorized modification, disassembly, repair and other acts.
- Product damage caused by fires, floods, lightning and other force majeure factors.

📄 Warranty Mode:

- For the products within the scope of warranty, SmallRig will repair or replace them on the basis of specific failures; the repaired / replaced products / parts are entitled to the remaining part of the original warranty period.

📄 Contact Information:

- You're advised to contact the online customer service personnel of corresponding shopping platform and submit a repair service application.
- You may also apply for repair service through SmallRig's service email.
Service Email: support@smallrig.com

保修条款

请保留您的原始购买单据及保修卡，同时包含您的购买日期、产品序列号等，这些资料质保服务时均需要提供。

📄 售后质保条款:

SmallRig产品自下单付款之日起享有质保服务。

- 电子产品 (除V口电池): 1年质保。
- V口电池: 2年质保。
- 非电子产品: 2年质保。

注: 若销售地国家或地区的适用法律法规有冲突的, 以销售地国家或地区有关质保期的法律法规为准。

📄 质保无效说明:

- 当用户违反操作指引或用户手册中“重要提示”任何一条导致的质量失效, 不在质保范围内。
- 产品序列号标识已经被撕毁或无法辨识, 不在质保范围。
- 产品使用不当等非产品本身质量问题, 而造成的产品损坏, 不在质保范围。
- 非官方指导的私自改装、拆解、维修等行为而造成的损坏, 不在质保范围。
- 因火灾、水灾、雷击等不可抗力造成的产品损坏, 不在质保范围。

📄 维修方式:

- 属于质保范围的, SmallRig 根据产品具体的故障对产品进行维修或更换;
维修后的产品 / 部件享受原有保修期的剩余时长。

📄 联系方式:

- 建议您优先前往相应购买平台联系在线客服, 提出产品维修申请。
- 您也可以通过 SmallRig 服务邮箱申请维修服务。

服务邮箱: support@smallrig.com

Guarantee Card

| | |
|---------------|--|
| ID No. | |
| Item Name | |
| Purchase Date | |
| User Name | |
| Mobile | |
| Address | |
| Receipt | |

保修卡

| | |
|-------|--|
| ID 编号 | |
| 产品名称 | |
| 购买日期 | |
| 用户姓名 | |
| 用户电话 | |
| 用户地址 | |
| 购买单据 | |

Manufacturer Email: support@smallrig.com

Manufacturer: Shenzhen Leqi Innovation Co., Ltd.

Address: Rooms 101, 701, 901, Building 4, Gonglianfuji Innovation Park, No. 58, Ping'an Road, Dafu Community, Guanlan Street, Longhua District, Shenzhen, Guangdong, China.

Consignor: Shenzhen LC Co., Ltd.

Address: Room 201, Building 4, Gonglianfuji Innovation Park, No. 58, Ping'an Road, Dafu Community, Guanlan Street, Longhua District, Shenzhen, Guangdong, China.

制造商: 深圳市乐其创新股份有限公司

地址: 中国广东省深圳市龙华区观澜街道大富社区平安路58号共联富基创新园4栋101、701、901

委托商: 深圳市乐长科技有限公司

地址: 中国广东省深圳市龙华区观澜街道大富社区平安路58号共联富基创新园4栋201



WE ARE HERE FOR YOU
服务与支持



ETICHETTATURA AMBIENTALE
ENVIRONMENTAL LABELING

执行标准: GB/T 26572-2011

LQ-B1002-18



GAVIMOSA CONSULTORIA, SOCIEDAD
LIMITADA, CASTELLANA 9144, 28046
Madrid, compliance.gavimosa@outlook.com



Sea&Mew Accounting Ltd,
Electric Avenue Vision 25, London,
Enfield EN3 7GD, info@seamew.net

CE RoHS



合格证
已检验



Séparez les éléments avant de trier



Made in China | 中国制造

FREE YOUR DREAM

自 由 创 想