

SmallRig



SR009

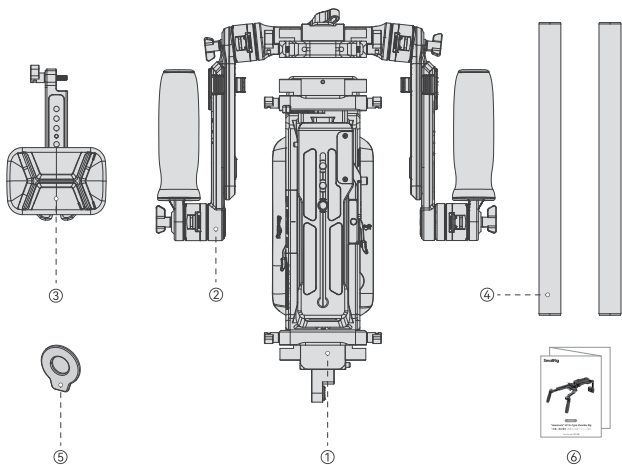
"HawkLock" VCT-14 Type Shoulder Rig

「迅鷹」肩扛套件 (旗舰版) (适配于 VCT-14 规格)

User Manual | 用户手册

- Thank you for purchasing SmallRig's product.
感谢您购买 SmallRig 产品。
- Please read this Operating Instruction carefully.
使用本产品之前，请仔细阅读操作指引。
- Please follow the safety warnings.
请注意所有警告提示并遵循使用操作指引的所有指令。

In the Box / 包装清单



- | | | | |
|------------------------------|-----|----------------------------|-----|
| ① Shoulder Rig Kit
肩扛套件 | × 1 | ④ 15mm Rod
15mm 管 | × 2 |
| ② Telescopic Handle
伸缩臂组件 | × 1 | ⑤ Flat-Head Wrench
一字扳手 | × 1 |
| ③ Back Pad
背托 | × 1 | ⑥ User Manual
用户手册 | × 1 |

Product Details / 产品介绍

Back Pad
Unlock Button

背托锁紧旋钮

Quick Release Plate
Locking Lever

快装板锁紧扳扣

Safety Pin Unlock Button

防脱解锁按钮

Rod Adjustment Knob

左右调节旋钮



1/4"-20 Locating Hole

1/4"-20 定位孔

Shoulder Pad Width Adjustment Lever

肩垫左右调节扳扣

Height Adjustment Lever

上下调节扳扣

Rotating Unlock Lever

旋转解锁扳扣

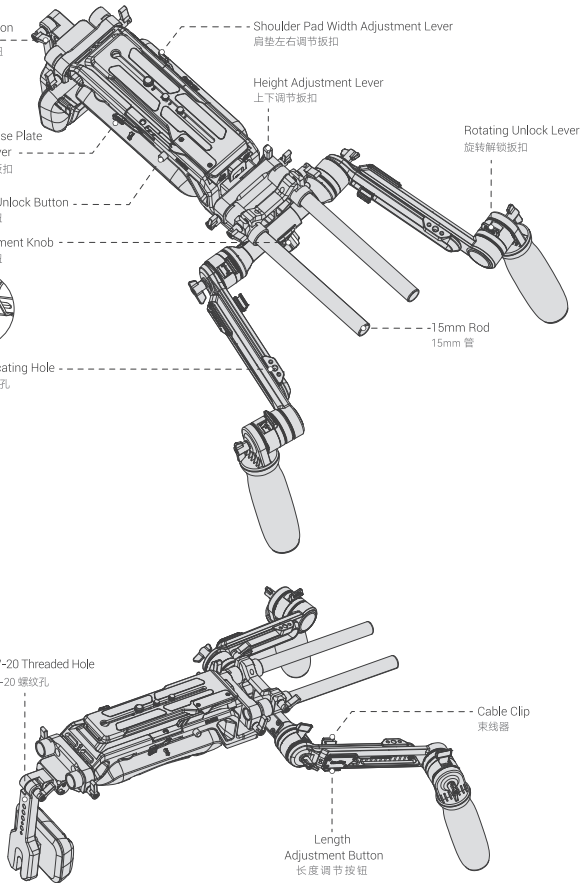
-15mm Rod
15mm 管

1/4"-20 Threaded Hole

1/4"-20 螺纹孔

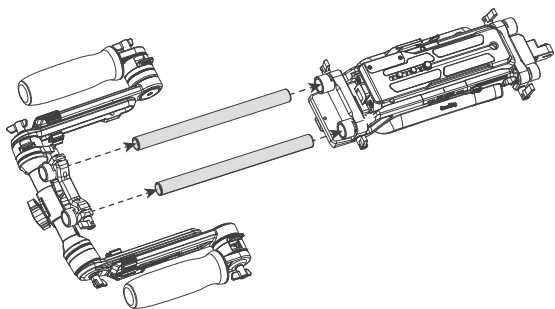
Cable Clip
束线器

Length
Adjustment Button
长度调节按钮

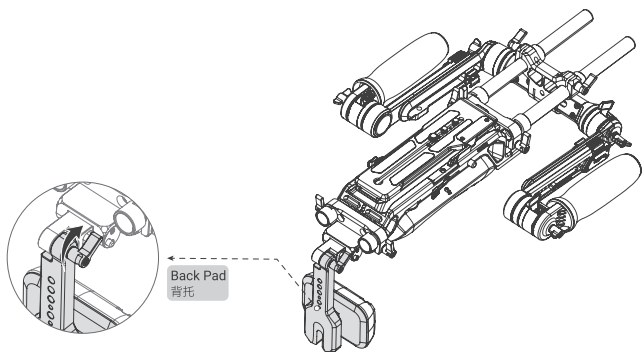


Installation Instruction / 安装步骤

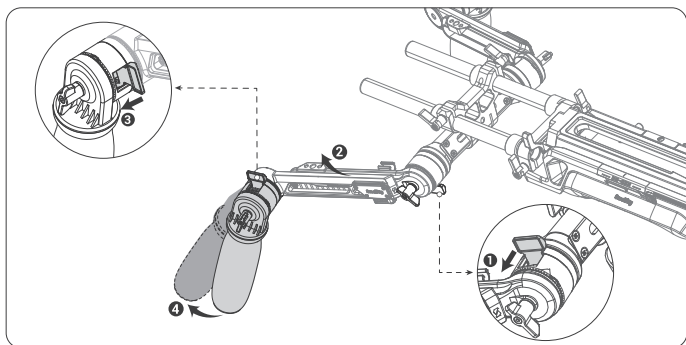
Step 1 / 步骤一



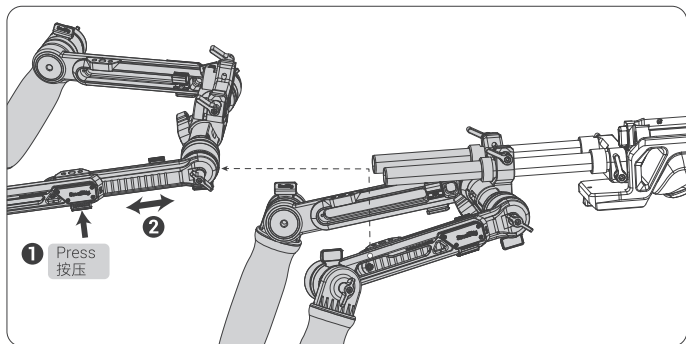
Step 2 / 步骤二



Step 3 / 步骤三



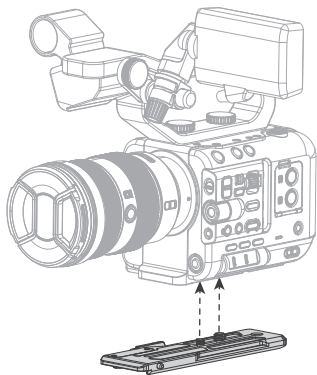
Step 4 / 步骤四



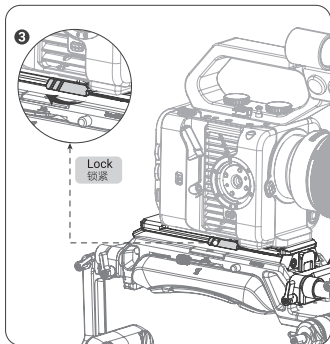
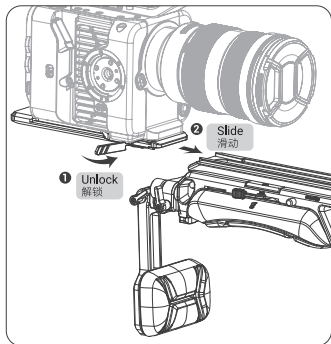
Step 5 / 步骤五

! The package does not include camera, lens and cage. Mount on the quick release plate using the screw when used without the cage.

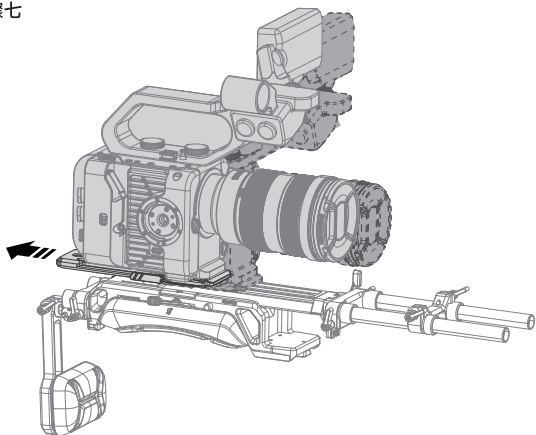
相机、镜头和拓展框需另购！未使用拓展框时，可使用快装板上的螺丝进行安装。



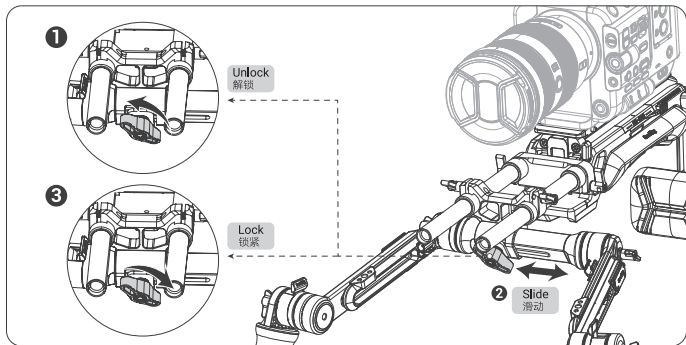
Step 6 / 步骤六



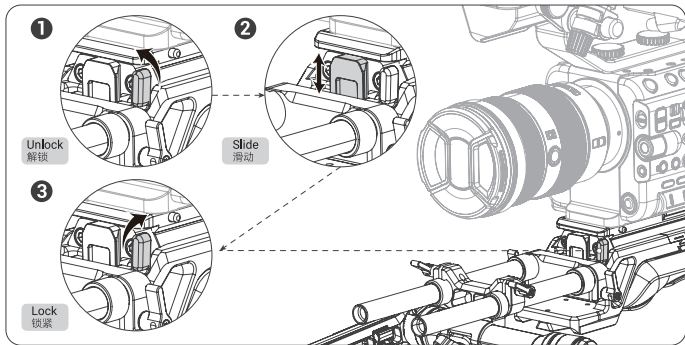
Step 7 / 步骤七



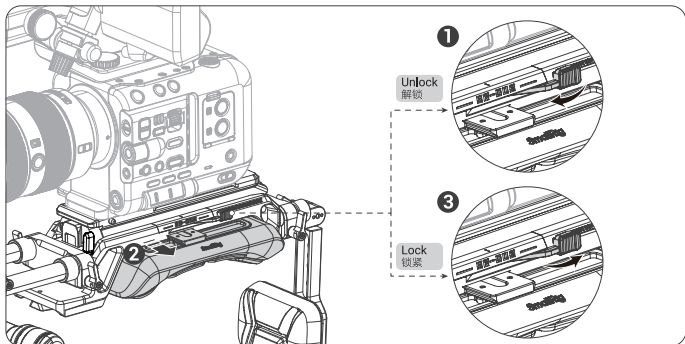
Step 8 / 步骤八



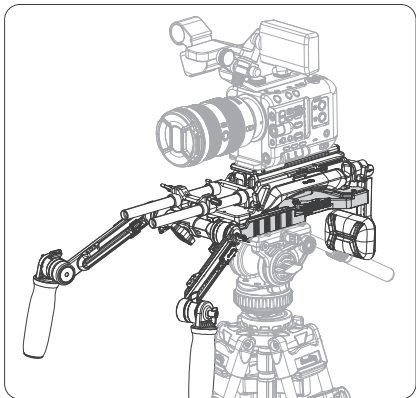
Step 9 / 步骤九



Step 10 / 步骤十



Step 11 / 步骤十一



Specifications / 产品参数

Product Dimensions 产品尺寸	18.5 × 12.3 × 19.0in 469.0 × 312.0 × 190.0mm
Product Weight 产品重量	79.9 ± 0.7oz 2266.0 ± 20.0g
Compatibility 兼容性	Medium to large sized camcorder 中大型电影机
Material(s) 主要材质	Aluminum Alloy, Stainless Steel, Silicone, PU, Foam, PC + ABS 铝合金、不锈钢、硅胶、PU、泡棉、PC + ABS

☒ Specifications subject to change without prior notice. Please refer to the physical product for the most up-to-date information.

技术参数如有改动，以实物为准，恕不另行通知。

Service & Warranty

Please keep your original receipt and guarantee card. Be sure the dealer has written on it the date of purchase and SN of the product. These are required for warranty service.

After-sale Warranty Terms:

SmallRig products are entitled to warranty services as of the date of payment.

- **Electronic products (except V mount battery):** 1-year warranty.
- **V mount battery:** 2-year warranty.
- **Non-electronic products:** 2-year warranty.

Note: In case of any conflict between our warranty period policy and applicable laws and regulations of the country / region where the products are sold, the latter shall prevail.

This Warranty Does Not Cover:

- If users fail to adhere to the "Operating Instruction" or any "Warnings" stated in the user manual, resulting in a quality failure, it falls outside the scope of warranty coverage.
- The product identification or SN label is removed or defaced in any way.
- Product damage caused by problems not attributable to the quality of the products such as improper use of the products.
- Product damage caused by unauthorized modification, disassembly, repair and other acts.
- Product damage caused by fires, floods, lightning and other force majeure factors.

Warranty Mode:

- For the products within the scope of warranty, SmallRig will repair or replace them on the basis of specific failures; the repaired / replaced products / parts are entitled to the remaining part of the original warranty period.

Contact Information:

- You're advised to contact the online customer service personnel of corresponding shopping platform and submit a repair service application.
- You may also apply for repair service through SmallRig's service email.

Service Email: support@smallrig.com

Guarantee Card

ID No.	
Item Name	
Purchase Date	
User Name	
Mobile	
Address	
Receipt	

保修条款

请保留您的原始购买单据及保修卡，同时包含您的购买日期、产品序列号等，这些资料质保服务时均需要提供。

📄 售后质保条款：

SmallRig产品自下单付款之日起享有质保服务。

- 电子产品 (除V口电池)：1年质保。
- V口电池：2年质保。
- 非电子产品：2年质保。

注：若销售地国家或地区的适用法律法规有冲突的，以销售地国家或地区有关质保期的法律法规为准。

📄 质保无效说明：

- 当用户违反操作指引或用户手册中“重要提示”任何一条导致的质量失效，不在质保范围内。
- 产品序列号标识已经被撕毁或无法辨识，不在质保范围。
- 产品使用不当等非产品本身质量问题，而造成的产品损坏，不在质保范围。
- 非官方指导的私自改装、拆解、维修等行为而造成的损坏，不在质保范围。
- 因火灾、水灾、雷击等不可抗力造成的产品损坏，不在质保范围。

📄 维修方式：

- 属于质保范围的，SmallRig 根据产品具体的故障对产品进行维修或更换；
维修后的产品 / 部件享受原有保修期的剩余时长。

📄 联系方式：

- 建议您优先前往相应购买平台联系在线客服，提出产品维修申请。
- 您可以通过 SmallRig 服务邮箱申请维修服务。

服务邮箱：support@smallrig.com

保修卡

ID 编号	
产品名称	
购买日期	
用户姓名	
用户电话	
用户地址	
购买单据	

Manufacturer Email: support@smallrig.com

Manufacturer: Shenzhen Leqi Innovation Co., Ltd.

Add: Rooms 101, 701, 901, Building 4, Gonglianfuji Innovation Park, No. 58, Ping'an Road, Dafu Community, Guanlan Street, Longhua District, Shenzhen, Guangdong, China.

Consignor: Shenzhen LC Co., Ltd.

Add: Room 201, Building 4, Gonglianfuji Innovation Park, No. 58, Ping'an Road, Dafu Community, Guanlan Street, Longhua District, Shenzhen, Guangdong, China.

制造商: 深圳市乐其创新股份有限公司

地址: 中国广东省深圳市龙华区观澜街道大富社区平安路58号共联富基创新园4栋101、701、901

委托商: 深圳市乐长科技有限公司

地址: 中国广东省深圳市龙华区观澜街道大富社区平安路58号共联富基创新园4栋201



WE ARE HERE FOR YOU
服务与支持



ETICHETTATURA AMBIENTALE
ENVIRONMENTAL LABELING

执行标准: GB/T 26572-2011



GAVIMOSA CONSULTORIA, SOCIEDAD
LIMITADA, CASTELLANA 9144, 28046
Madrid, compliance.gavimosa@outlook.com



Sea&Mew Accounting Ltd,
Electric Avenue Vision 25, London,
Enfield EN3 7GD, info@seamew.net

CE RoHS



合格证
已检验



FR
LE TRI
+ FACILE



Séparez les éléments avant de trier



LQ-P1639-18

Made in China | 中国制造