

# SmallRig

## HawkLock Quick Release Cage Kit (for Canon EOS R5 Mark II)

「迅鹰」快拆拓展框套件 (适用于佳能 EOS R5 Mark II)  
(5029B / 4977B)

Operating Instruction / 操作指引

- Thank you for purchasing SmallRig's product.  
感谢您购买 SmallRig 产品。
- Please read this Operating Instruction carefully.  
使用本产品之前, 请仔细阅读操作指引。
- Please follow the safety warnings.  
请注意所有警告提示并遵循使用操作指引的所有指令。

## Specifications / 产品参数

### 5029B

Product Dimensions 产品尺寸	6.2 × 5.6 × 7.3in 156.5 × 141.8 × 184.8mm
Product Weight 产品重量	14.3 ± 0.2oz 406.7 ± 5.0g
Material(s) 主要材质	Aluminum Alloy 铝合金
In the Box 包装清单	HawkLock Quick Release × 1 Cage 迅鹰拓展框 USB-C & HDMI Cable Clamp × 1 USB-C & HDMI线夹 HawkLock Quick Release Top Handle × 1 迅鹰上手提 Guarantee Card × 1 保修卡

### 4977B

Product Dimensions 产品尺寸	6.2 × 4.7 × 2.5in 156.5 × 118.5 × 64.0mm
Product Weight 产品重量	7.5 ± 0.2oz 211.7 ± 5.0g
Material(s) 主要材质	Aluminum Alloy 铝合金
In the Box 包装清单	HawkLock Quick Release × 1 Cage 迅鹰拓展框 Guarantee Card × 1 保修卡

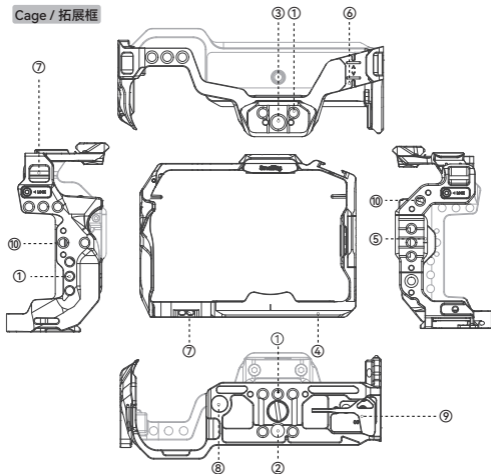
\* Compatibility / 兼容性: Canon EOS R5 Mark II / 佳能 EOS R5 Mark II

\* 技术参数如有改动, 以实物为准, 恕不另行通知。

Specifications subject to change without prior notice. Please refer to the physical product for the most up-to-date information.

## Product Details / 产品介绍

### Cage / 拓展框



① 1/4"-20 Threaded Hole  
1/4"-20 螺纹孔

② 3/8"-16 Threaded Hole  
3/8"-16 螺纹孔

③ ARRI 3/8"-16 Locating Hole  
阿莱(ARRI)定位孔

④ H38 Arca-Swiss Quick Release Plate  
快拆阿卡规格快装板

⑤ H21 NATO Rail  
快拆滑条

⑥ H18 Cold Shoe Mount  
快拆冷靴

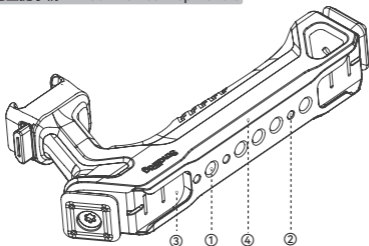
⑦ Strap Slot  
肩带/腕带接口

⑧ QD Socket  
QD接口

⑨ Dual-Head Wrench  
双头扳手

⑩ 1/4"-20 Locating Hole  
1/4"-20 定位孔

## 黑曼巴上提手柄 / "Black Mamba" Top Handle



① 1/4"-20 Threaded Hole  
1/4"-20螺纹孔

③ H18 Cold Shoe Mount  
快拆冷靴

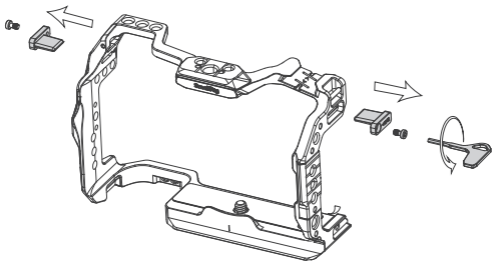
② 1/4"-20 Locating Hole  
1/4"-20定位孔

④ H21 NATO Rail  
快拆滑条

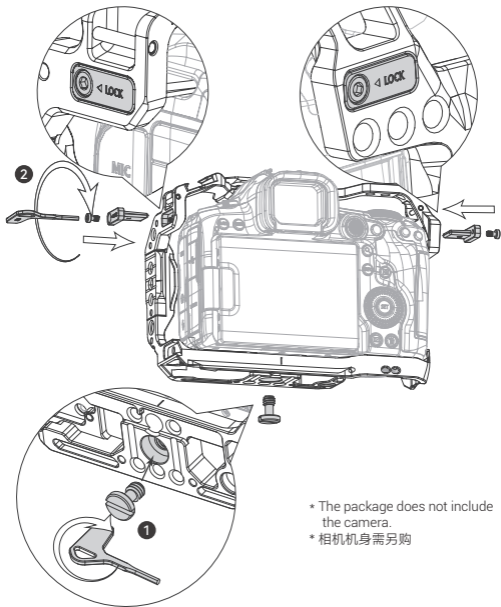
## Cage Installation / 拓展框安装步骤

(1) Before installing, Please remove the two locating blocks on the sides of the cage by the Dual-Head Wrench.

在安装拓展框前，请先用双头扳手拆卸拓展框两侧的定位压块。



- (2) **1**: Put the camera into the cage from back to the front, and then secure the cage use the Dual-Head Wrench to tighten the 1/4"-20 screw at the base.
- 1**: 将相机从后往前放入相机拓展框, 然后用双头扳手拧紧底部1/4"-20螺丝, 锁紧固定拓展框。
- 2**: Secure the cage and camera strap slots by tightening two locating blocks on the sides of the cage.
- 2**: 通过双侧定位压块, 锁紧固定拓展框和相机肩带槽。



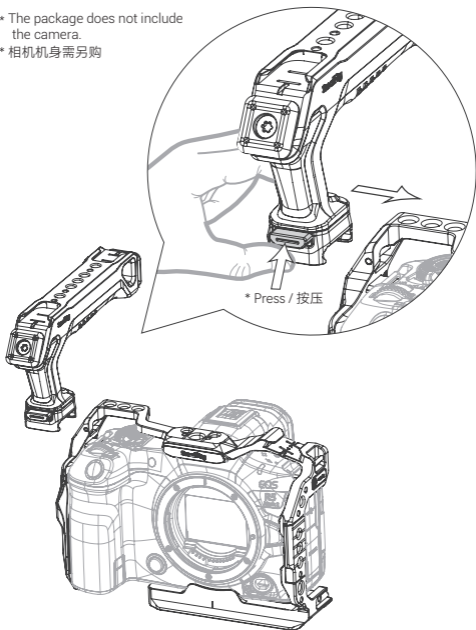
## Top Handle Installation / 上手提安装步骤

(1): Press the unlock button to slide the HawkLock H21 Quick Release Top Handle into the NATO rail at the top of the cage.

按下解锁按钮，将快拆滑槽上手提滑入拓展框顶部的滑条。

\* The package does not include the camera.

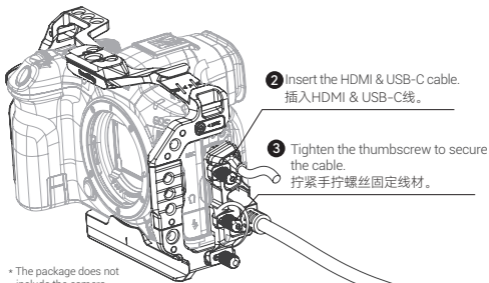
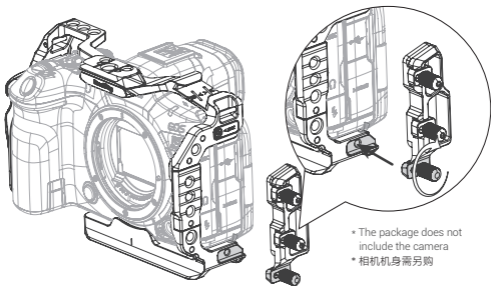
\* 相机机身需另购



## HDMI & USB-C Cable Clamp Installation

### HDMI & USB-C线夹安装步骤

- 1**: Install the cable clamp to the cage by tightening the thumbscrew.  
通过一颗手拧螺丝，将线夹和拓展框锁紧固定。



- \* The package does not include the camera  
\* 相机机身需另购

Manufacturer Email: support@smallrig.com

Manufacturer: Shenzhen Leqi Innovation Co., Ltd.

制造商: 深圳市乐其创新股份有限公司

Add: Rooms 101, 701, 901, Building 4, Gonglianfuji Innovation Park, No. 58,  
Ping'an Road, Dafu Community, Guanlan Street, Longhua District,  
Shenzhen, Guangdong, China.

地址: 中国广东省深圳市龙华区观澜街道大富社区平安路58号共联富基创新园  
4栋101、701、901

Consignor: Shenzhen LC Co., Ltd.

委托商: 深圳市乐长科技有限公司

Add: Room 201, Building 4, Gonglianfuji Innovation Park, No. 58, Ping'an Road,  
Dafu Community, Guanlan Street, Longhua District, Shenzhen,  
Guangdong, China.

地址: 中国广东省深圳市龙华区观澜街道大富社区平安路58号共联富基创新园  
4栋201

执行标准: GB/T 26572-2011

**RoHS**



*Séparez les éléments avant de trier*

中国制造

Made in China

