



"Black Mamba" Cage Kit

(for Canon EOS R5 Mark II)

「黑曼巴」拓展框套件 (适用于佳能 EOS R5 MarkII)

(4975B / 4976B)

Operating Instruction / 操作指引

- Thank you for purchasing SmallRig's product.
感谢您购买 SmallRig 产品。
- Please read this Operating Instruction carefully.
使用本产品之前，请仔细阅读操作指引。
- Please follow the safety warnings.
请注意所有警告提示并遵循使用操作指引的所有指令。

Specifications / 产品参数

4976B

Product Dimensions 产品尺寸	6.8 × 5.1 × 7.2in 173.6 × 129.2 × 183.5mm			
Product Weight 产品重量	11.4 ± 0.2oz 324.8 ± 5.0g			
Material(s) 主要材质	Aluminum Alloy 铝合金			
In the Box 包装清单	Cage 拓展框	× 1	Top Handle 上手提	× 1
	Cable Clamp 线夹	× 1	Guarantee Card 保修卡	× 1

4975B

Product Dimensions 产品尺寸	6.0 × 2.9 × 4.5in 153.0 × 73.9 × 115.5mm			
Product Weight 产品重量	6.5 ± 0.2oz 183.6 ± 5.0g			
Material(s) 主要材质	Aluminum Alloy 铝合金			
In the Box 包装清单	Cage 拓展框	× 1	Guarantee Card 保修卡	× 1

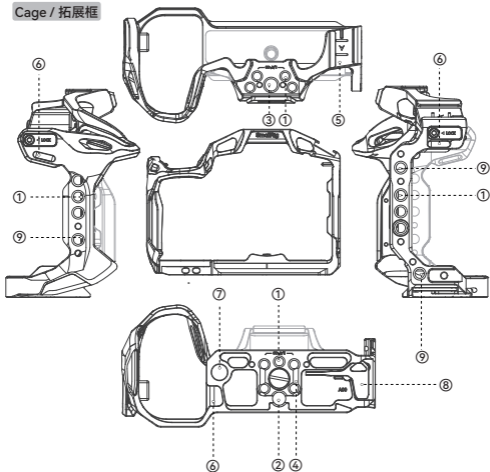
* Compatibility / 兼容性: Canon EOS R5 Mark II / 佳能 EOS R5 Mark II

* 技术参数如有改动, 以实物为准, 恕不另行通知。

Specifications subject to change without prior notice. Please refer to the physical product for the most up-to-date information.

Product Details / 产品介绍

Cage / 拓展框



① 1/4"-20 Threaded Hole
1/4"-20 螺纹孔

② 3/8"-16 Threaded Hole
3/8"-16 螺纹孔

③ ARRI 3/8"-16 Locating Hole
阿莱(ARRI)定位孔

④ H38 Arca-Swiss Quick Release Plate
快拆阿卡规格快装板

⑤ H18 Cold Shoe Mount
快拆冷靴

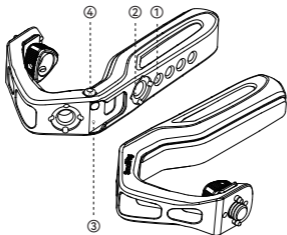
⑥ Strap Slot
肩带/腕带接口

⑦ QD Socket
QD接口

⑧ Dual-Head Wrench
双头扳手

⑨ 1/4"-20 Locating Hole
1/4"-20 定位孔

黑曼巴上提手柄 / "Black Mamba" Top Handle



① 1/4"-20 Threaded Hole
1/4"-20螺纹孔

③ Cold Shoe Mount
冷靴

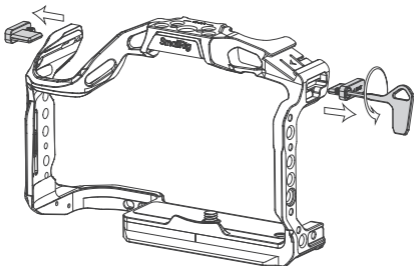
② ARRI 3/8"-16 Locating Hole
阿莱(ARRI)定位孔

④ Cold Shoe with Anti-off Pin
冷靴防脱键

Cage Installation / 拓展框安装步骤

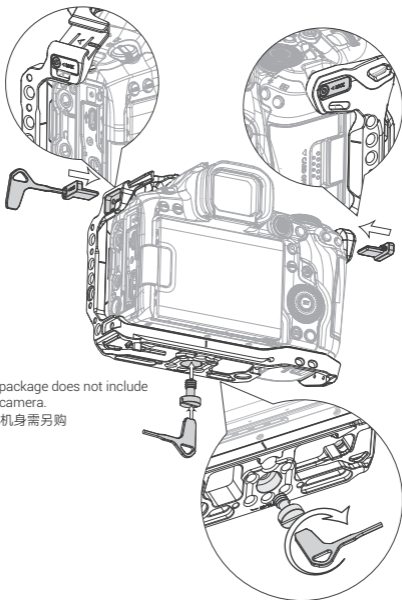
(1) Before installing, Please remove the two locating blocks on the sides of the cage by the Dual-Head Wrench.

在安装拓展框前，请先用双头扳手拆卸拓展框两侧的定位压块。



- (2) Step 1: Put the camera into the cage from back to the front, and then secure the cage use the Dual-Head Wrench to tighten the 1/4"-20 screw at the base.
第一步：将相机从后往前放入相机拓展框，然后用双头扳手拧紧底部1/4"-20螺丝，锁紧固定拓展框。

Step 2: Secure the cage and camera strap slots by tightening two locating blocks on the sides of the cage.
第二步：通过双侧定位压块，锁紧固定拓展框和相机肩带槽。



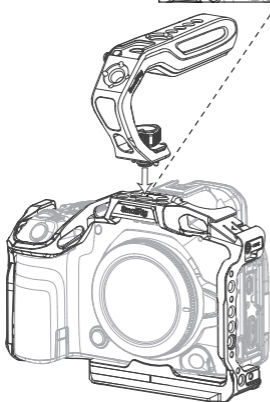
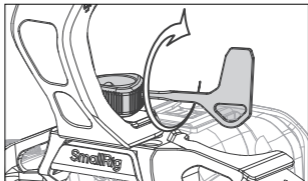
Top Handle Installation / 上手提安装步骤

(1) Step 1: Align the top handle with the ARRI 3/8"-16 locating hole on the cage.

第一步：将上手提对准相机拓展框的阿莱(ARRI)定位孔。

Step 2: Tighten the ARRI 3/8"-16 locating screw by the included Dual-Wrench.

第二步：拧紧阿莱(ARRI)定位螺丝，使用双头扳手加固锁紧。



* The package does not include the camera.

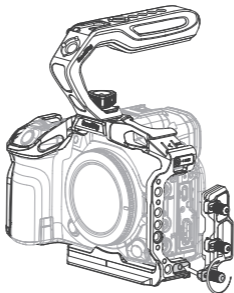
* 相机机身需另购

HDMI & USB-C Cable Clamp Installation

HDMI & USB-C线夹安装步骤

(1) Step 1: Install the cable clamp to the cage by tightening the thumbscrew.

第一步：通过一颗手拧螺丝，将线夹和拓展框锁紧固定。

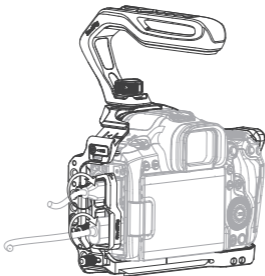


Step 2: Insert the HDMI & USB-C cable.

第二步：插入HDMI & USB-C线。

Step 3: Tighten the thumbscrew to secure the cable.

第二步：拧紧手拧螺丝固定线材。



Manufacturer Email: support@smallrig.com

Manufacturer: Shenzhen Leqi Innovation Co., Ltd.

制造商: 深圳市乐其创新股份有限公司

Add: Rooms 101, 701, 901, Building 4, Gonglianfuji Innovation Park, No. 58,
Ping'an Road, Dafu Community, Guanlan Street, Longhua District,
Shenzhen, Guangdong, China.

地址: 中国广东省深圳市龙华区观澜街道大富社区平安路58号共联富基创新园
4栋101、701、901

Consignor: Shenzhen LC Co., Ltd.

委托商: 深圳市乐长科技有限公司

Add: Room 201, Building 4, Gonglianfuji Innovation Park, No. 58, Ping'an Road,
Dafu Community, Guanlan Street, Longhua District, Shenzhen,
Guangdong, China.

地址: 中国广东省深圳市龙华区观澜街道大富社区平安路58号共联富基创新园
4栋201

执行标准: GB/T 26572-2011



中国制造
Made in China

